



AVO Solid Endlinks Fitting Guide

PN: S2A92G1HU001T

Applied Models: 2002~2007 Impreza WRX



You are now the proud owner of a highly tested and proven AVOTurboworld upgrade kit. While you have made a wise choice in selecting this upgrade kit, below we have some suggestions and procedures for you to follow in ensuring its successful installation.

Tools Required

Metric socket and ratchet set

Jackstands or ramps

Kitting List

Two endlinks	Four 10 x 60mm bolts	Four 10 x 30mm die washers Two 10 x 22mm die washers	Four 10mm nuts	One grease packet

A) Orientation

Before grabbing a bunch of wrenches and attacking your car take a moment to

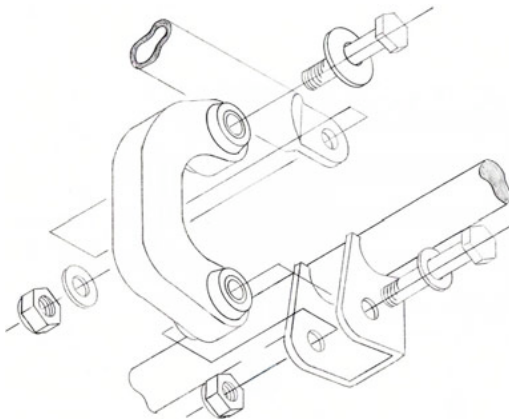
STOP AND THINK

Read these supplied installation instructions thoroughly from start to finish – do you understand all of the mechanical operations required? Are you sure that you can adequately complete all of the mechanical operations required?

Prior to installation, make sure that your car is in excellent mechanical condition and that there are no outstanding faults or problems. This part has been designed to work only with a car that is in good state of repair. Pre-existing problems or faults can result in improper operation and/or failure of your engine. This is your responsibility to ensure. No matter how carefully we design our Parts, this is one area we have no control over and cannot be held responsible.

Installation

The first step in installing the endlinks is to make sure the car is properly supported on jackstands or a lift. It is actually easier to remove the old endlinks and install the AVO endlinks if the car wheels are not suspended in the air, so we recommend ramps for this install if you have them.



First remove the stock endlinks. This is done by removing the nut at the top where it connects to the stabilizer bar, and by unbolting the bolt at the bottom. Push the bolt out with a screwdriver.

Liberally grease the face of the bushings with the supplied grease packet. Place the AVO endlink where the stock endlink was. Run the supplied bolt through the bottom and fasten up the nut loosely for now. Do the same at the top.

Make sure that the threaded portion of the bolt is on the stabilizer bar end.

Torque the bolts down to factory specification, and check over all the fittings. If you have installed these with the wheels in the air, check the fittings one more time after it has been lowered to the ground.



Note: After completion and removing your tools, double check for any loose fittings. Correct if necessary. In order to maintain the reliability of your AVOTurboworld upgrade part, you should inspect all components during the recommended engine servicing schedules; and rectify or replace any damaged components as necessary.

Job Done-Enjoy your car!

NOTE! – If in any doubt over the operation or installation of your parts, contact AVOTurboworld, or the dealer you purchased it from for advice and assistance in troubleshooting your questions.